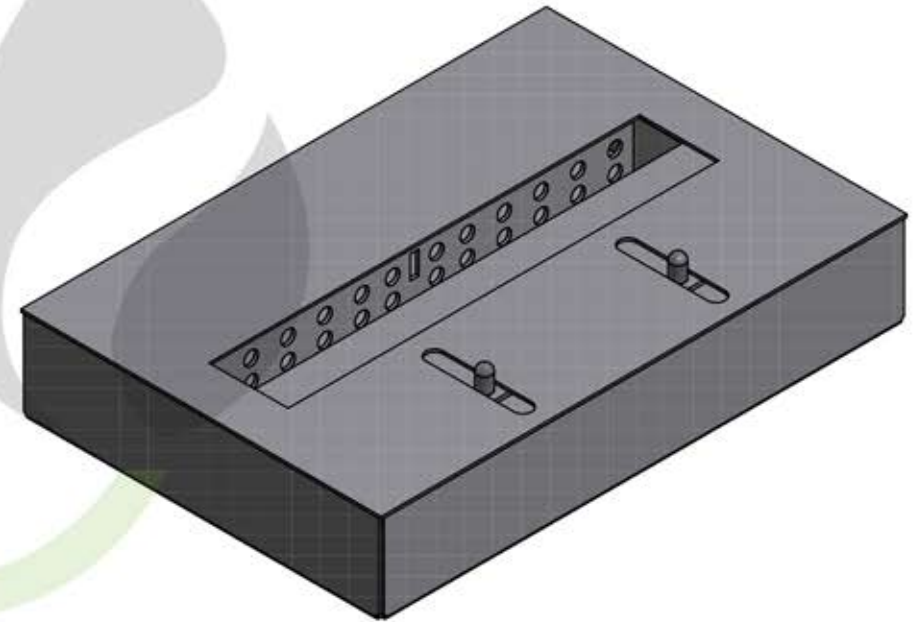
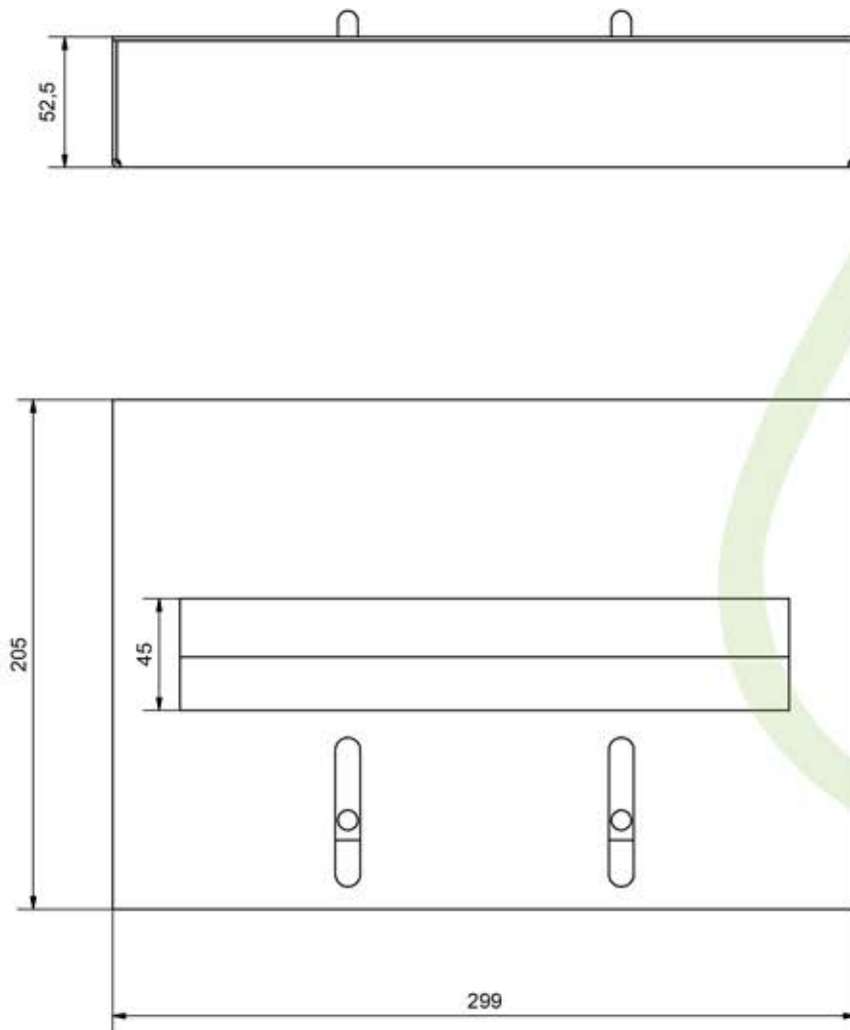


Burner 2L - 2 qts - Technical drawing



Product Dimensions

L 299 x H 52.5 x D 205 mm

L 11½" x H 2" x D 8"

Weight

3½ kg / 7½ lbs

Burner

2 L / 2qts burner - adjustable flame

Burning time

+/- 6 hrs - 0.33 l/h - ¼ qt/h

Heating Capacity

2.8 KW / 9553 BTU

Minimum Room surface

54 m³(roof 2.45 m) / 1906 ft³ (roof 8 ft)

Advised air exchange

every one hour for rooms < 110 m³- < 3884 ft³

Last updated

April 2015

Bio-Blaze®

